

Bradley Corporation - Product Safety Notice

Bradley Heat Trace Shower and Eye/Face Wash Unit –

Mis-wired Bradley Heat Trace Shower and Eye/Face Wash Unit Models S19-300T (top supply) and S19-300B (bottom supply) may cause a spark or fire.

The manufacturer, Bradley Corporation, notified customers of a defect in the wiring of their S19-300 Class 1 Division 2 Combination Safety Shower and Eye/Face Wash Units. These units, Models S19-300T (top supply) and S19-300B (bottom supply), are intended for use in areas where temperatures fall below freezing and include a heat trace cable to protect the unit from freezing (see attached description). The manufacturer has sent out notifications directly to customers who are identified in their records as having purchased one of these units.

Heat Trace Shower and Eye/Face Wash Unit

Models S19-300T (top supply) S19-300B (bottom supply)

- Complies with American National Standard Z358.1-2004
- Class I, Division II, Groups B,C, and D explosion-proof units are standard
- Class I, Division I Groups C and D explosion-proof option available
- Heat Trace Cable protects unit from freezing to -50° F
- Includes Universal Identification Sign and Inspection Tag
- Full, One-Year Warranty

Specifications

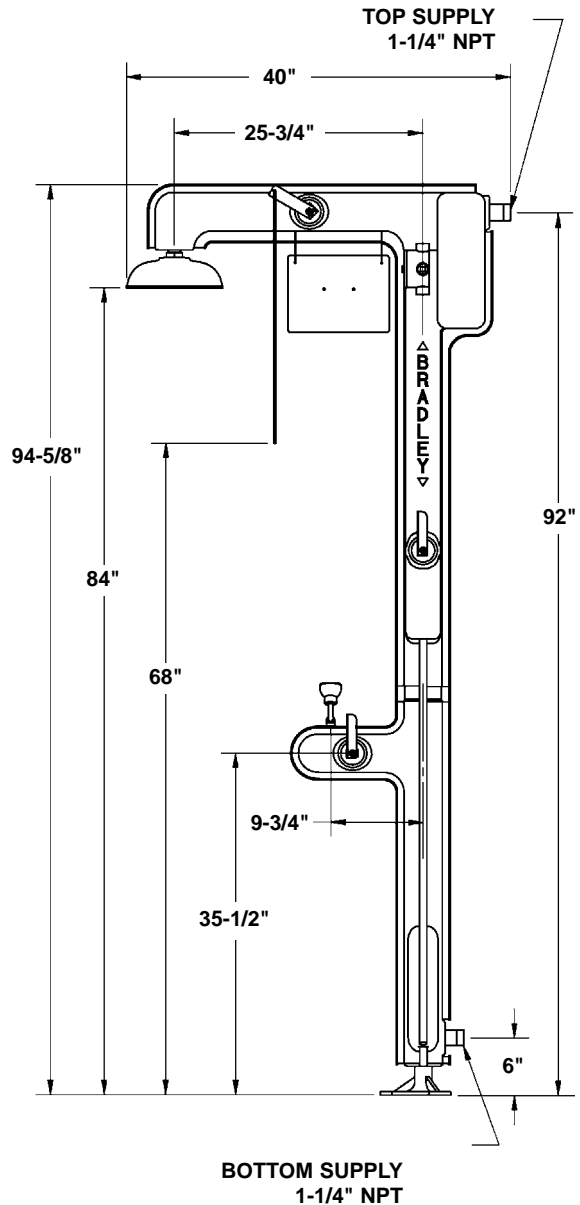
Combination shower and eye/face wash unit is intended for use in areas where temperatures fall below freezing. Heat trace cable protects unit from freezing to -50 °F. Unit is encased in highly-visible yellow ABS removable plastic shell. Shower valve operates quickly by a pull rod with a triangular handle. Eye/face wash is operated by a large, highly-visible push handle. Optional shower alarm, heat trace indicator light, drench hose and scald protection valve available upon request.

UPC and cUPC Approved:

The Emergency Fixtures are certified to comply with the requirements of the Uniform Plumbing Code and the National Plumbing Code of Canada by the International Association of Plumbing and Mechanical Officials (IAPMO).

Construction

Unit is galvanized steel pipe with impact-resistant yellow plastic shower head. Shower pull rod and eyewash push handle is stainless steel. Unit includes heat trace cable, pipe insulation, protective outer shell, freeze protection valve, junction box and thermostat. Heat trace cable wraps around pipe and is protected with vertical semi-slit pipe insulation. Highly visible yellow ABS plastic shell encases unit and is designed with four easy-to-remove sections to allow for quick repairs and maintenance. Shell resists chemicals and other harsh environmental conditions.



Recommended Option:
Navigator S19-2100 EFX25
Emergency Thermostatic Mixing Valve

NAVIGATOR

Satisfies ANSI Z358.1-2004
tepid water requirements.



Heat Trace Shower and Eye/Face Wash Unit

Models S19-300T (top supply) S19-300B (bottom supply)

Standard Equipment

Shower Head

20 GPM, 10" (254 mm) diameter yellow impact-resistant plastic.

Shower Valve

Chrome-plated brass 1" IPS stay-open ball valve. Operated by stainless steel pull rod with triangular handle.

Eyewash Valve

Chrome plated brass 1/2" IPS stay-open ball valve. Operated by stainless steel push handle.

Eye/Face Wash Spray Head Assembly

Twin-perforated disc eye/face wash heads. Safe, steady water flow under varying water supply conditions assured with flow control for 30-90 PSI. Pop-off dust covers protect sprayheads from debris.

Pipe and Fittings

1-1/4" galvanized steel pipe.

*Electric Heat Trace Cable

Self-regulated to -50°F, thermal rating - 5 watts/foot, service voltage - 120 VAC, amperage/wattage - .7 AMP/80 watts at 50°F unit water temperature.

Pipe Insulation

3/4" polyethylene vertical semi-slit.

Protective Outer Shell

Safety yellow UV stabilized ABS plastic with four removable sections for quick repairs and maintenance. Shell is sealed with flexible vinyl trim for added weather protection.

Freeze Protection Valve

Ensures continual flow of water when internal temperatures drop below 35°F. Valve closes at 45°F. Maximum pressure rating is 200 PSI.

*Thermostat

Temperature control thermostat opens at 64°F and closes at 54°F. (Thermostat for Class I, Division I activates at 50°F)

Junction Box

Aluminum, with multiple-hubs. Accepts 3/4" IPS conduit.

Water Supply

1 1/4" IPS (top or bottom supply)

*Standard specification components are rated Class I, Division II, Groups B, C and D explosion-proof. Electrical components are UL approved. **Class I, Division I, Groups C and D available upon request.**

MODEL <u>Must select one</u>	
Model	Description
<input type="checkbox"/> S19-300	Heat Trace Combination Unit
<input type="checkbox"/> S19-2100	Navigator EFX25 – Emergency Thermostatic Mixing Valve

STANDARD SELECTIONS <u>Must select one from each category</u>	
Versions:	
<input type="checkbox"/> D2	Class 1 Division 2 Groups B, C, D
<input type="checkbox"/> D1	Class 1 Division 1 Groups C, D
Water Supply:	
<input type="checkbox"/> T	Top Supply
<input type="checkbox"/> B	Bottom Supply
Voltage:	
<input type="checkbox"/> 1	120V
<input type="checkbox"/> 2	220V
Showerhead:	
<input type="checkbox"/> A	ABS Plastic
<input type="checkbox"/> S	Stainless Steel
Eyewash:	
<input type="checkbox"/> EFW	Eye/Face Wash
<input type="checkbox"/> EW	Eyewash Only
Alarm:	
<input type="checkbox"/> N	No Alarm
<input type="checkbox"/> WA	Waterproof Alarm
<input type="checkbox"/> D2A	Class 1 Div 2 Alarm
<input type="checkbox"/> D1A	Class 1 Div 1 Alarm
Indicator Light:	
<input type="checkbox"/> N	No Light
<input type="checkbox"/> L	NEMA 3 Indicator Light
<input type="checkbox"/> D2L	Class 1 Div 2 Light
<input type="checkbox"/> D1L	Class 1 Div 1 Light
Drench Hose:	
<input type="checkbox"/> N	No Drench Hose
<input type="checkbox"/> H	Drench Hose
Anti-Scald Valve:	
<input type="checkbox"/> N	No Anti-Scald Valve
<input type="checkbox"/> S	Anti-Scald Valve
* NOTE: Suffixes in BOLD are standard — Other options available at an additional cost.	

Document No. 4485

This information is subject to change without formal notice.
8-18-2006 (2 Pages Total)